

GLÖTZL Baumeßtechnik

CONVERGENCE MEASURING BOLTS

for Measurement with Measuring Tape

Type: KV . . .

Art. No.: 90.01

Convergence bolts for measurement with measuring tape, thread G 3/8" and measuring connection, of ribbed steel Ø 20 mm, with galvanic surface protection



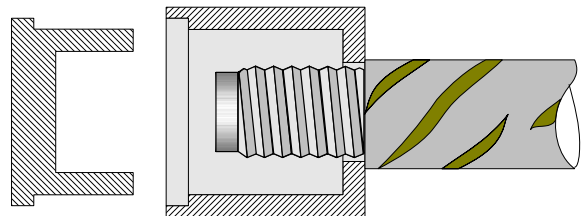
Art. No.: 90.01.01.01	Type KV 20/ 50	Length 50 mm, for welding on
Art. No.: 90.01.01.02	Type KV 20/100	Length 100 mm
Art. No.: 90.01.01.03	Type KV 20/250	Length 250 mm
Art. No.: 90.01.01.04	Type KV 20/350	Length 350 mm, standard model

Convergence bolts with thread and measuring connection, of ribbed steel, material stainless steel

Art. No.: 90.01.02.01	Type KV 20/ 50 V	Length 50 mm, for welding on
Art. No.: 90.01.02.02	Type KV 20/100 V	Length 100 mm
Art. No.: 90.01.02.03	Type KV 20/250 V	Length 250 mm
Art. No.: 90.01.02.04	Type KV 20/350 V	Length 350 mm, standard model



Protection cap of PVC red for thread and measuring connection, type KS



Protection cap for thread and measuring connection, for immersed installation of measuring bolt, type KS

Elongation for convergence bolt of ribbed steel Ø 20 mm, with galvanic surface protection



Art. No.: 90.10.01.01	Type VK 100	Length 100 mm
Art. No.: 90.10.01.02	Type VK 200	Length 200 mm
Art. No.: 90.10.01.03	Type VK 300	Length 300 mm

Elongation with thread and measuring connection, of material VA

Art. No.: 90.11.01.01	Type VKV 100	Length 100 mm
Art. No.: 90.11.01.02	Type VKV 200	Length 200 mm
Art. No.: 90.11.01.03	Type VKV 300	Length 300 mm

Convergence measuring bolts for measuring battens are available in different models and are equipped with an additional facility for suspension of a measuring batten.

For model with ball connection, the measuring bolt is equipped with a ball machined angle which allows the centering of the measuring batten with suspension fork. Herewith, the measuring batten is centering itself vertically.

Furthermore, the bolt is equipped with a thread G 3/8" with measuring connection for measurement with the measuring tape.



Thread G 3/8" with meas. connection

Ball machined angle

Ribbed steel Ø 25 mm, with galvanic surface protection

Art. No.: 90.01.20.01	Type KVK 25/100	Length 100 mm
Art. No.: 90.01.20.02	Type KVK 25/250	Length 250 mm
Art. No.: 90.01.20.03	Type KVK 25/350	Length 350 mm
Art. No.: 90.01.70.01	Type KS	Protection cap of PVC for meas. connection

Suspension fork with plate strip for fixing at a levelling batten



Art. No.: 90.01.30.01	Type GST 50	Meas. batten 50 mm
Art. No.: 90.01.30.02	Type GS 86	ditto 86 mm

Attachment for convergence measuring bolt, material VA, for attachment at convergence bolts, type KV, ball machined angle and thread with measuring connection



Art. No.: 90.01.20.10	Type KVK	With ball and thread connection
Art. No.: 90.01.20.15	Type KVA	Ball attachment with inner thread G 3/8"

Elongation for convergence bolt with ball machined angle

For geodetic measurement resp. for suspension of a measuring batten with suspension fork, convergence bolt elongations are available with ball machined angle.



Art. No.: 90.01.40.01	Type VKK 100	Length 100 mm
Art. No.: 90.01.40.02	Type VKK 300	Length 300 mm

Measuring bolts of ribbed steel, with attached ball of stainless steel, for suspension of a levelling rod with suspension fork for geodetic measurement of distance changes

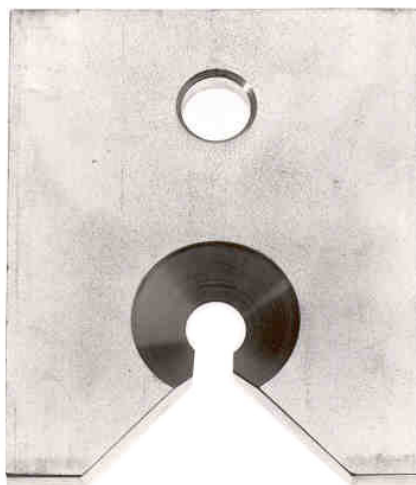


Art. No.: 90.01.50.01	Type MKV 20/250	Length 250 mm
Art. No.: 90.01.50.02	Type MKV 20/350	Length 350 mm



Convergence bolts with measuring plates are installed in tunnel roof ridges. Besides the connection thread for measurement of convergences with measuring tape, the bolt has a levelling plate with ball-shaped machined angle for suspension of a surveyor's wooden rod equipped with a ball stud.

The bolt is made of ribbed steel \varnothing 25 mm, thread G 3/8", measuring connection, with galvanic surface protection.



Convergence bolt	type KVM 25/350	\varnothing 25 mm, length 350 mm
Measuring plate	type STZ	for suspension of a levelling rod
Protection cap	type STS	without figure
Ball stud	type KST 50	with plate strip for attachment at a levelling rod, width 50 mm
Ball stud	type KST 86	with plate strip for attachment at a meas. plate, width 86 mm
Protection cap	type KS	of PVC red, for thread and measuring connection

Accessories

Surveyor's wooden rods in different models, complete with corresponding suspension equipment

Special bolts

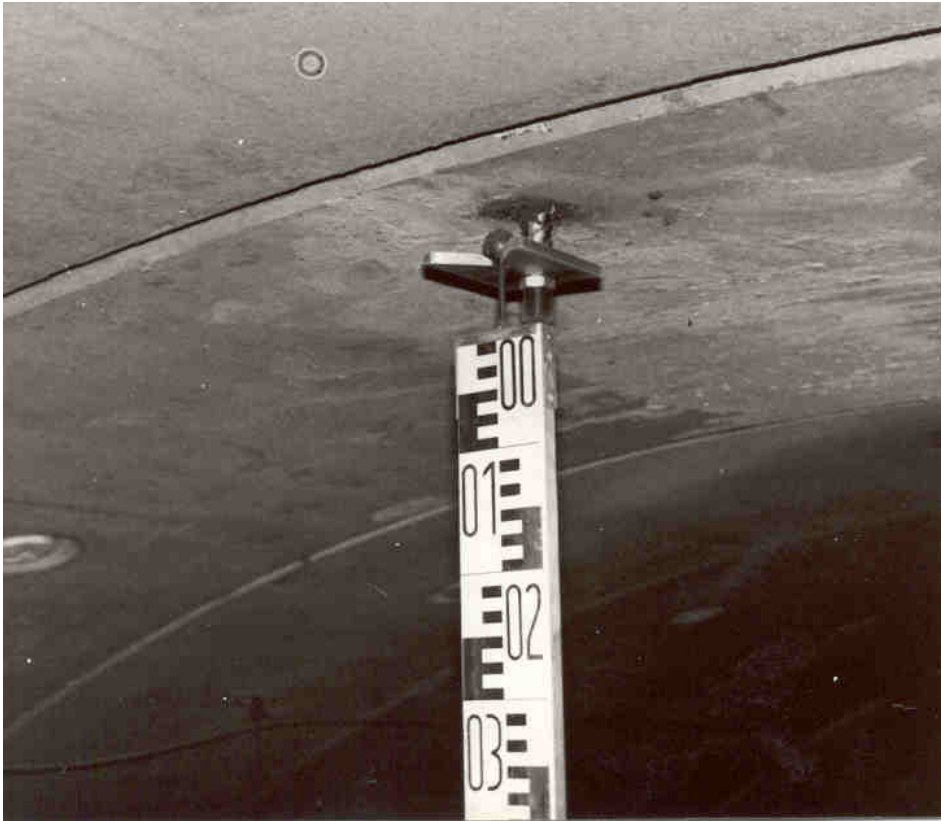


Figure: Universal bolt type KVK/SF



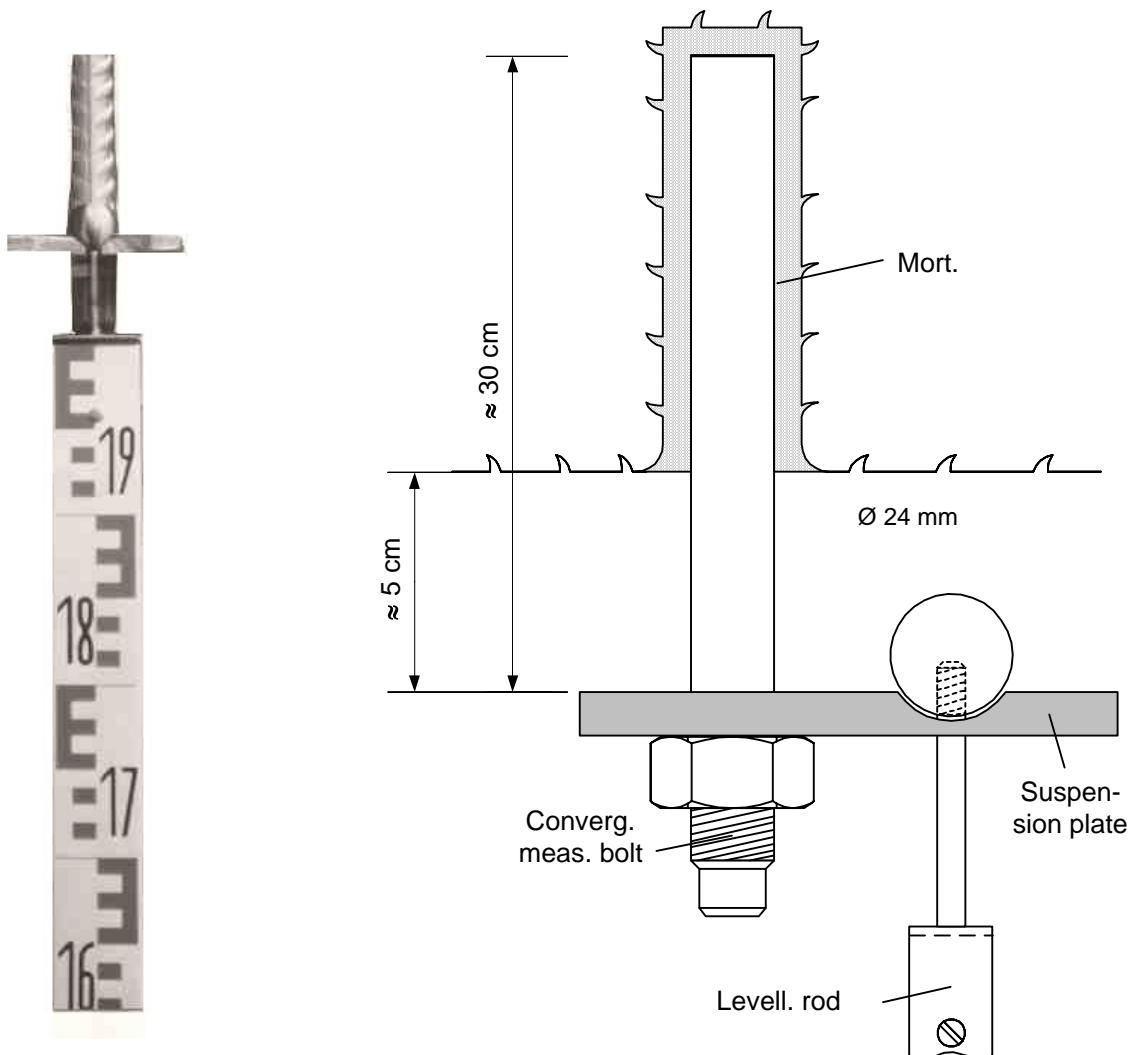
Figure: Universal bolt type KVK/O

Art. No.: 90.01.80.01	Type KVK/SF	Universal bolt with slot and hair cross, thread M18
Art. No.: 90.01.80.02	Type KVK/O	Universal bolt with slot and hair cross, thread M18



Suspension device for measurement at tunnel roof ridges with hinged levelling plate.

The suspension device can simultaneously be used as a convergence measuring bolt.



Subject to technical alterations