

Inclinometer measuring casing ABS 66

Heavy Duty



Application

- for special projects with huge lateral pressure
- for earth-fill dams higher than 50 m
- for horizontal application under large overburden

TECHNICAL SPECIFICATIONS

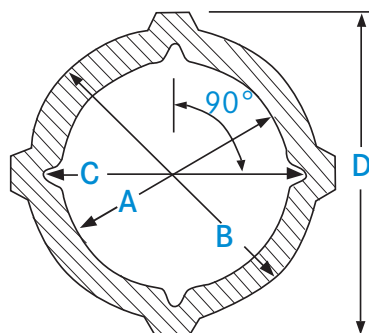
	Standard No.	
Material:	ABS	
Density (P):	1.04 g/cm ³	ISO 1183
Continuous operating temperature:	-50°C...+70°C	UL 746B
Tensile strength at break:	33 MPa	ISO 527
Elongation at break:	8 %	ISO 527
Impact strength:	333 kJ/m ²	ISO 179

Length of each tube:	1.5 or 3 m (Standard lengths)	
Outer diameter:	82 mm	
Inner diameter:	66 mm	
Thickness of casing:	8 mm	
Length of coupling:	500 mm or 1000 mm	
Inner/Outer diameter of coupling:	83/99 mm	
Thickness of coupling:	8/5.5 mm	
Groove spiral:	<0.5° / 3 m	

INSTALLATION ACCESSORIES



CASING



- A: 66 mm
- B: 82 mm
- C: 71.5 mm
- D: 86.5 mm

COUPLING

