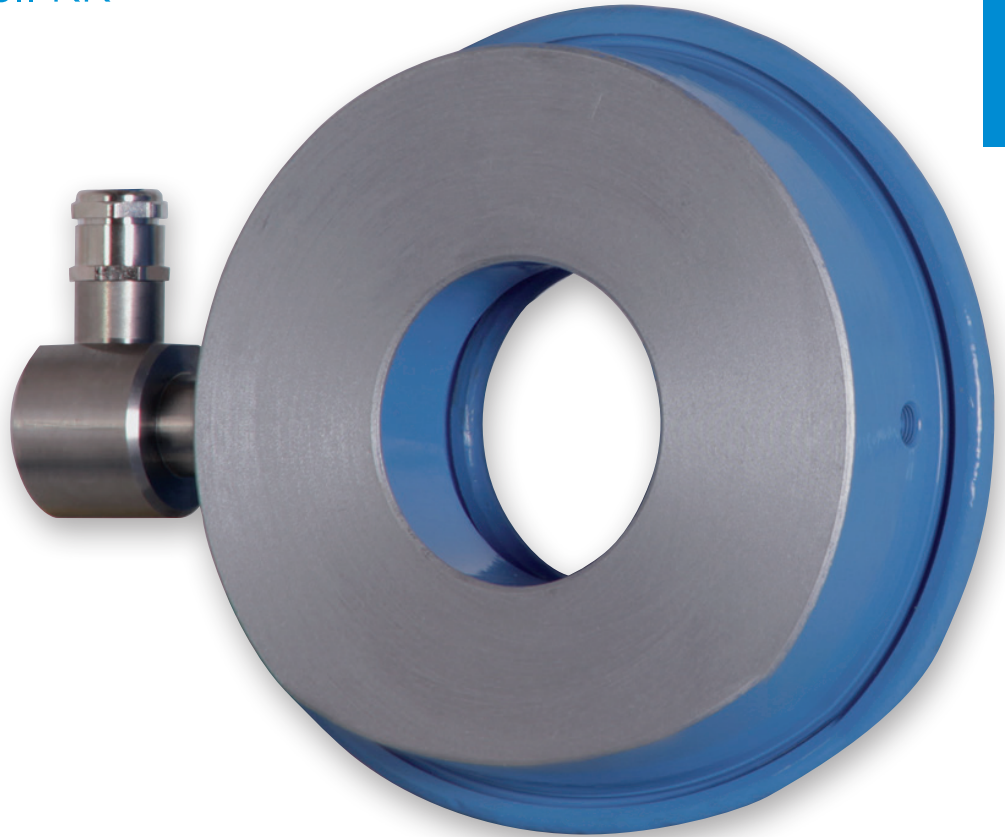


# Anchor load cell KK

Model AU, AI and VW

Art.-No. 42.00



The compact GLÖTZL anchor load cell with integrated distribution plate and electronic transducer comprises a defined area sensor pad made up of two flexurally stiff discs that are moveable through annular grooves around their circumference. The pressure chamber is filled with hydraulic fluid that is connected to a pressure sensor.

This combination allows voltage to be converted into a pressure display that in turn can be converted via the effective surface, into a value of load. The small volume of hydraulic fluid within a closed chamber together with the defined geometry of the anchor load cell itself allows a highly accurate measurement to be made with minimum temperature drift.

The dimensions listed in this brochure are oriented upon to the most usual strand and rod anchor systems. Individual adjustments can also be made at any time and at short notice. Should you so request, the dimensions of the load cells can be recalculated so that they correspond with the requirements of their installation positions, the necessary measured variables and the anchor diameter.

## TECHNICAL DATA

Model AU	
Material:	Steel St52*
Power supply:	1 mA opt. 10 V DC
Output signal:	0 up to max. 250 mV
Measuring range:	250 up to 5000 kN
Resolution:	1 kN
Linearität:	<0,5 % f.s.
Reproducibility:	0.01 %
Temperature range:	-30 °C up to 100 °C
Temperature error:	<0.1 % °C f.s.
Protection type:	IP 68

\*with zinc/ paint coating



Model AI	
Material:	Steel St52*
Power supply:	10 up to 30 V DC
Output signal:	4 up to max. 20 mA
Measuring range:	250 up to 5000 kN
Resolution:	1 kN
Linearität:	<0.5 % f.s.
Reproducibility:	0.01 %
Temperature range:	-30 °C up to 100 °C
Temperature error:	<0.1 % °C f.s.
Protection type:	IP 68

\*with zinc/ paint coating



Model VW	
Material:	Steel St52*
Output signal:	Frequenz
Measuring range:	250 up to 5000 kN
Resolution:	1 kN
Linearität:	<0.5 % f.s.
Reproducibility:	0.01 %
Temperature range:	-30 °C up to 100 °C
Temperature error:	<0.1 % °C f.s.
Protection type:	IP 68

\*with zinc/ paint coating



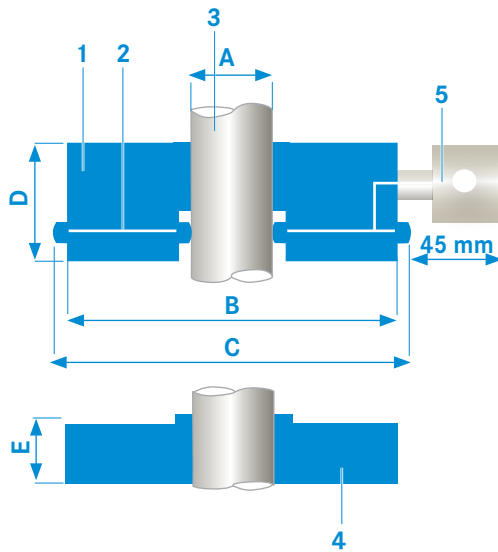
## Benefits

- Hydraulic principle
- Easy installation
- Highly robust design
- Very low temperature sensitivity
- Low overall height
- Insensitive to eccentric loading
- Comparatively low weight
- A calibrating curve is not necessary as the cell is displaying linear.

# TYPE AU, AI AND VW

With electric remote control

## SYSTEM AND DESIGN



1. Piston pad
2. Hydraulic fluid
3. Anchor
4. Optional additional distribution plate
5. Electr. pressure transducer

Type KK AU, AI o. VW	Load (kN)		Dimensions (mm)					Weight (kg) Cell with integradet distribution plate
	nom	max	A	B	C	D	E	
KK 250 A 35	250	300	35	123	144	57	30	5,2
KK 500 A 50	500	600	50	144	165	65	37	8,2
KK 750 A 50	750	900	50	144	165	65	37	8,2
KK 750 A 75	750	900	75	157	179	65	37	10,9
KK 1000 A 105	1000	1200	105	219	241	65	42	14,8
KK 1000 A 135	1000	1200	135	219	241	65	42	14,8
KK 1400 A 105	1400	1600	105	219	241	65	42	14,8
KK 1400 A 135	1400	1600	135	219	241	65	42	14,8
KK 2000 A 135	2000	2200	135	265	287	80	61	24,8
KK 3000 A 135	3000	3300	135	306	330	80	76	36,3
KK 5000 A 160	5000	5500	160	380	406	90	81	63,8

\*Further load ranges upon request/ extra distribution plate upon request